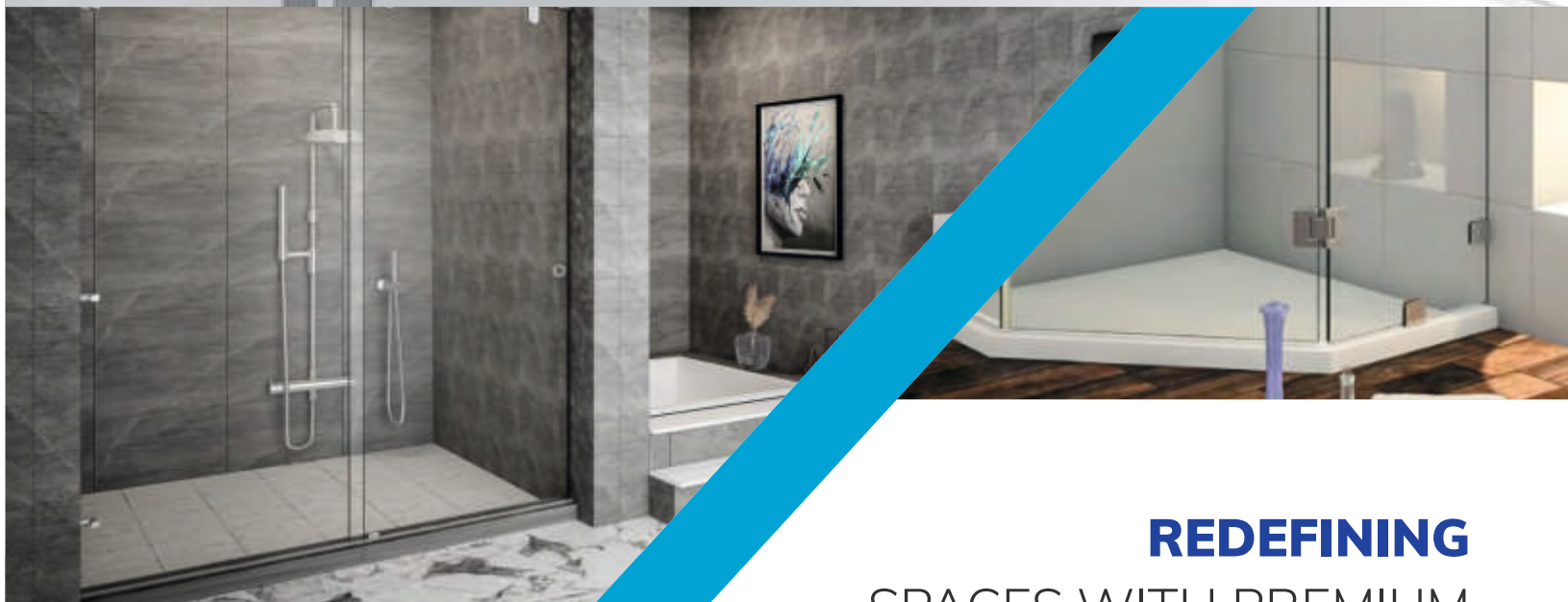


GlassWare®

ARCHITECTURAL GLASS HARDWARE



REDEFINING
SPACES WITH PREMIUM
GLASS HARDWARE

PRODUCT CATALOGUE **EDITION IV**

FLOOR SPRING • PATCH FITTING • ALUMINIUM SLIM PROFILES & HARDWARE

Redefining

SPACES WITH PREMIUM
GLASS HARDWARE



GlassWare[®]

ARCHITECTURAL GLASS HARDWARE

Welcome to **Glassware India**, the leading innovator in architectural glass hardware. With a commitment to excellence and a passion for design, we provide top-quality solutions that enhance and transform modern architectural spaces.

OUR MISSION : At **Glassware India**, our mission is to deliver exceptional glass hardware products that combine functionality, durability, and aesthetic appeal. We strive to push the boundaries of design, ensuring our products meet the highest standards of quality and performance.

OUR PRODUCTS: We offer a comprehensive range of architectural glass hardware, including

- **Glass Railings and Balustrades :** Combining safety and elegance for residential and commercial spaces.
- **Glass Door Systems :** Innovative solutions for sliding, swinging, and stacking doors that maximize space and light.
- **Shower Enclosures:** Sleek and durable hardware for luxurious and functional shower spaces.
- **Glass Partitions:** Modern and versatile options for creating open, yet defined, workspaces and living areas & many more.

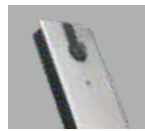
Each product is meticulously crafted using the finest materials and cutting-edge technology, ensuring seamless integration and long-lasting durability.

OUR EXPERTISE : With decades of industry experience, our team of skilled engineers, designers, and craftsmen is dedicated to providing customized solutions tailored to meet the unique needs of each project. From concept to completion, we work closely with architects, builders, and designers to bring their visions to life.

OUR VISION : To be the global leader in architectural glass hardware, renowned for our innovation, quality, and dedication to transforming spaces with elegant and functional design solutions.

Thank you for choosing **Glassware India**. We look forward to partnering with you to create beautiful, enduring spaces.

CONTENT OVERVIEW



01-04
FLOOR SPRING



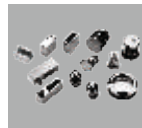
16
JAGUAR SLIDING
SYSTEM SET



22
SPLICE PLATES



05-06
COMBO PATCH SET



16
SHOWER SLIDING
SYSTEM IIA SET



22
CANOPY FITTING



07-09
PATCH FITTINGS



17
AUTOMATIC SLIDING
SENSOR DOOR



23-26
DOOR HANDLES



10
HYDRAULIC
PATCH SET



18
PROFILE SLIDING
SYSTEM (SOFT CLOSE)



26
SHOWER HANDLES



10
DOOR
CLOSER



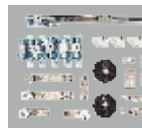
19
PROFILE SYNCHRONIZED
SLIDING SYSTEM
ACCESSORIES



26
DOOR KNOBS



11
GLASS CONNECTORS



19
SLIDING DOOR
ACCESSORIES



27
LOCK WITHOUT
CUTOUT



12
SHOWER HINGES



19
SLIM MAGNETIC
LOCK



28
GLASS RAILING
ACCESSORIES



13
PLASTIC PROFILE



19
PROFILE TELESCOPIC
SLIDING SYSTEM
ACCESSORIES



28
'U'
CHANNEL



13
SHOWER NIGHT
ROUND SERIES



20
SPIDER
FITTING



28
SILICONE
SEALANT & GUN



13
SHOWER NIGHT
SQUARE SERIES



21
ROUTE



28
GLASS
LIFTER



14-15
OFFICE SLIDING
SYSTEM SET



21
FIN PLATES



29
GLASS
RAILING



GlassWare®
ARCHITECTURAL GLASS HARDWARE

GlassWare®
ARCHITECTURAL GLASS HARDWARE

FLOOR SPRINGS

A floor spring is a mechanical device used for closing doors, primarily glass doors, and is typically installed in the floor. Here are the key components and aspects of a floor spring:



FLOOR SPRINGS

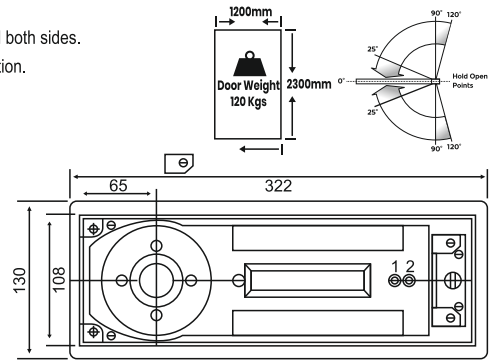
GFS-8400

DOUBLE SPRING FLOOR HINGE



Specification

- General design, suitable for left or right hand to open the door in single and both sides.
- Used low temp. hydraulic oil for any climate operation and constant lubrication.
- Suitable for wooden and toughened glass doors.
- Suitable for door weight 120kgs.
- Closing force 25nm.
- Suitable for maximum wide door leaf (1140x2440mm).
- Opening angle 90° / 115°



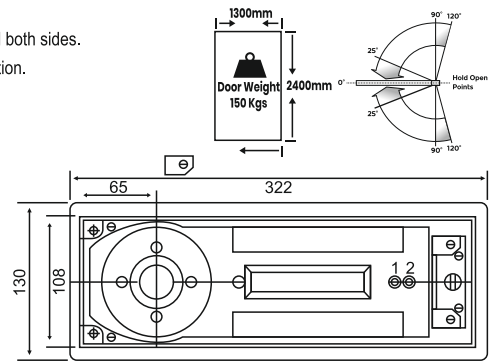
GFS-9400

DOUBLE SPRING FLOOR HINGE



Specification

- General design, suitable for left or right hand to open the door in single and both sides.
- Used low temp. hydraulic oil for any climate operation and constant lubrication.
- Suitable for wooden and toughened glass doors.
- Suitable for door weight 150kgs.
- Closing force 25nm.
- Suitable for maximum wide door leaf (1300x2740mm).
- Opening angle 90° / 115°



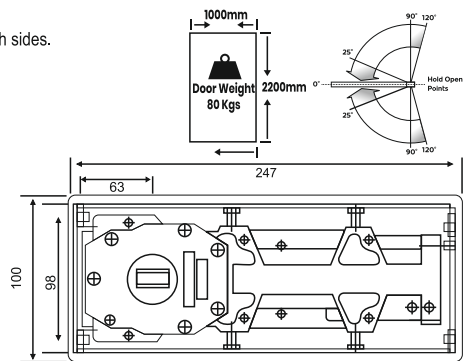
GFS-7400

SINGLE SPRING FLOOR HINGE



Specification

- General design, suitable for left or right hand to open the door in single and both sides.
- Used low temp. hydraulic oil for any climate operation and constant lubrication.
- Suitable for wooden and toughened glass doors.
- Suitable for door weight 80kgs.
- Closing force 25nm.
- Suitable for maximum wide door leaf (840x2130mm).
- Opening angle 90° / 115°



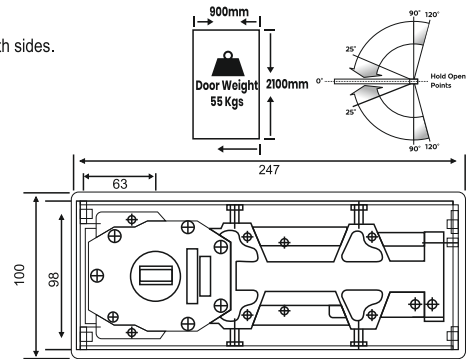
GFS-6400

SINGLE SPRING FLOOR HINGE WITH ACCESSORIES



Specification

- General design, suitable for left or right hand to open the door in single and both sides.
- Used low temp. hydraulic oil for any climate operation and constant lubrication.
- Suitable for wooden and toughened glass doors.
- Suitable for door weight 55kgs.
- Closing force 25nm.
- Suitable for maximum wide door leaf (762x1830mm).
- Opening angle 90° / 115°



GFS-ACC-TP/BP

SINGLE SPRING FLOOR HINGE

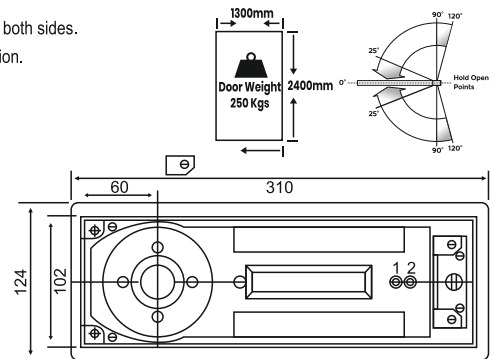
GFS-10400

DOUBLE SPRING FLOOR HINGE



Specification

- General design, suitable for left or right hand to open the door in single and both sides.
- Used low temp. hydraulic oil for any climate operation and constant lubrication.
- Suitable for wooden and toughened glass doors.
- Suitable for door weight 250kgs.
- Closing force 25nm.
- Suitable for maximum wide door leaf (1524x3048mm).
- Opening angle 90° / 115°



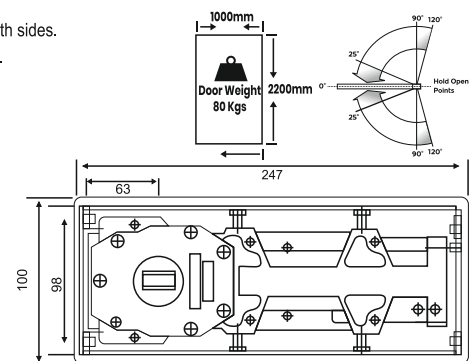
GFS-7400

SINGLE SPRING FLOOR HINGE WITH ACCESSORIES



Specification

- General design, suitable for left or right hand to open the door in single and both sides.
- Used low temp. hydraulic oil for any climate operation and constant lubrication.
- Suitable for wooden and toughened glass doors.
- Suitable for door weight 80kgs.
- Closing force 25nm.
- Suitable for maximum wide door leaf (840x2130mm).
- Opening angle 90° / 115°



GFS-ACC-TP/BP

FLOOR SPRINGS

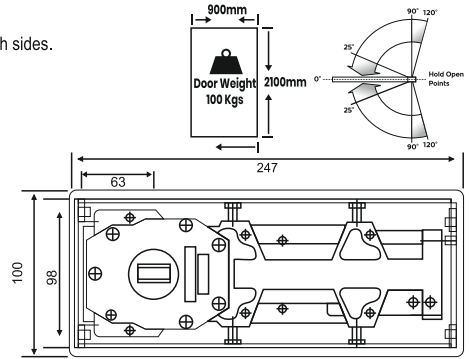
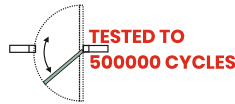
GFS-7400S

SINGLE SPRING FLOOR HINGE



Specification

- General design, suitable for left or right hand to open the door in single and both sides.
- Used low temp. hydraulic oil for any climate operation and constant lubrication.
- Suitable for wooden and toughened glass doors.
- Suitable for door weight 100kgs.
- Closing force 25nm.
- Suitable for maximum wide door leaf (915x2130mm).
- Opening angle 90° / 120°



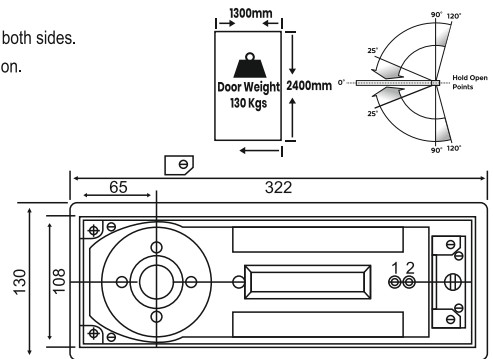
GFS-8400S

DOUBLE SPRING FLOOR HINGE



Specification

- General design, suitable for left or right hand to open the door in single and both sides.
- Used low temp. hydraulic oil for any climate operation and constant lubrication.
- Suitable for wooden and toughened glass doors.
- Suitable for door weight 130kgs.
- Closing force 25nm.
- Suitable for maximum wide door leaf (1525x2440mm).
- Opening angle 90° / 115°





GWPS-9400 SET
(With Lock)
Double Spring Floor Hinge



GPF-20
Top Patch



GPF-10
Bottom Patch



GFS-ACC-GDP
Top Pivot for Patch
Fitting Doors



GPL-90
Corner Patch Lock

OR



GLK-3
Double Door Lock
(Key & Knob) Glass to Glass



GDH-104
H Handle



GWPS-8400 Set
(With Lock)
Double Spring Floor Hinge



GPF-20
Top Patch



GPF-10
Bottom Patch



GFS-ACC-GDP
Top Pivot for Patch
Fitting Doors



GPL-90
Corner Patch Lock

OR



GLK-3
Double Door Lock
(Key & Knob) Glass to Glass



GDH-104
H Handle



GWPS-7400 SET
(With Lock)
Single Spring Floor Hinge



GPF-20
Top Patch



GPF-10
Bottom Patch



GFS-ACC-GDP
Top Pivot for Patch
Fitting Doors



GPL-90
Corner Patch Lock

OR



GLK-3
Double Door Lock
(Key & Knob) Glass to Glass



GDH-104
H Handle



GWPS-8400S SET
(With Lock)
Single Spring Floor Hinge



GPF-20
Top Patch



GPF-10
Bottom Patch



GFS-ACC-GDP
Top Pivot for Patch
Fitting Doors



GPL-90
Corner Patch Lock

OR



GLK-3
Double Door Lock
(Key & Knob) Glass to Glass



GDH-104
H Handle

COMBO PATCH SET



PATCH FITTINGS

GPF-10

BOTTOM PATCH



GPF-20

TOP PATCH



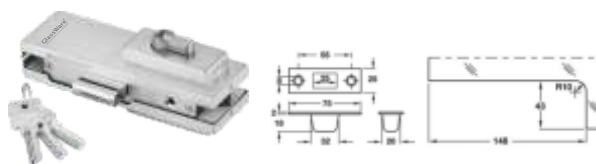
GPF-40

**OVER PANEL SIDE PANEL
CONNECTING PATCH WITH PIVOT (BIG L)**



GPL-90

**CORNER PATCH LOCK
WITH STRIKE PLATE**



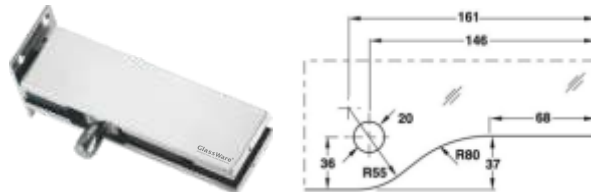
GPF-610

**OVER PANEL SIDE PANEL
PATCH CONNECTOR (SMALL L)**



GPF-511

**WALL MOUNTED OVER PANEL
PATCH WITH PIVOT (OVER PANEL)**



GPF-640

WALL TO GLASS CONNECTING PATCH



GPF-650

**GLASS TO GLASS CONNECTING
PATCH WITH WALL / CEILING**



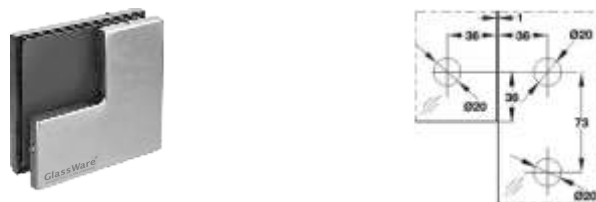
GPF-620

QUADRUPLE PATCH



GPF-610ST

**OVER PANEL SIDE PANEL PATCH
CONNECTOR WITH STOPPER**



PATCH FITTINGS

GPF-41 L

OVER PANEL SIDE PANEL
CONNECTOR WITH FIN (LEFT)



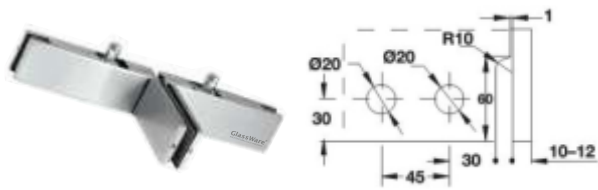
GPF-41 R

OVER PANEL SIDE PANEL
CONNECTOR WITH FIN (RIGHT)



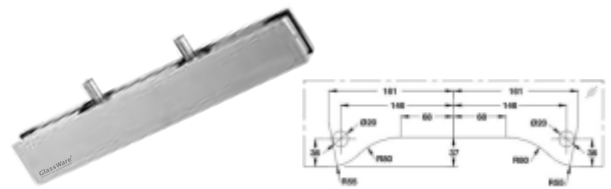
GPF-51

DOUBLE OVER PANEL PATCH WITH FIN



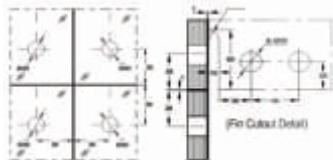
GPF-61

DOUBLE OVER PANEL PATCH

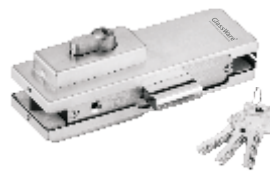
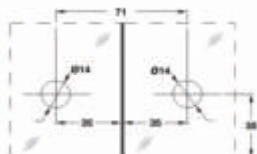




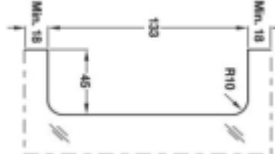
GPF-620F
Quadruple Patch with Fin



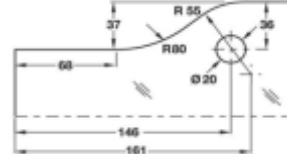
GPF-650F
Connector with Fin



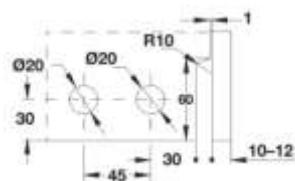
GPL-2A
Centre Patch Lock



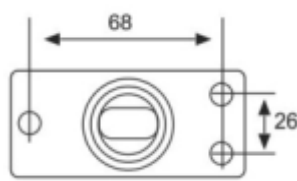
GPL-2B
Centre Lock Strike Box



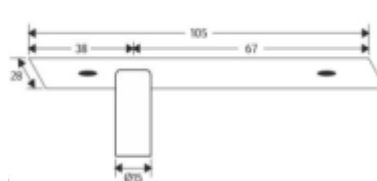
GPF-610L/R
Triple Glass Patch
Connector with Fin (Left/Right)



GFS-MFH
Mini Floor Hinge



GFS-ACC-GDP
Top Pivot for Patch Fittings Doors

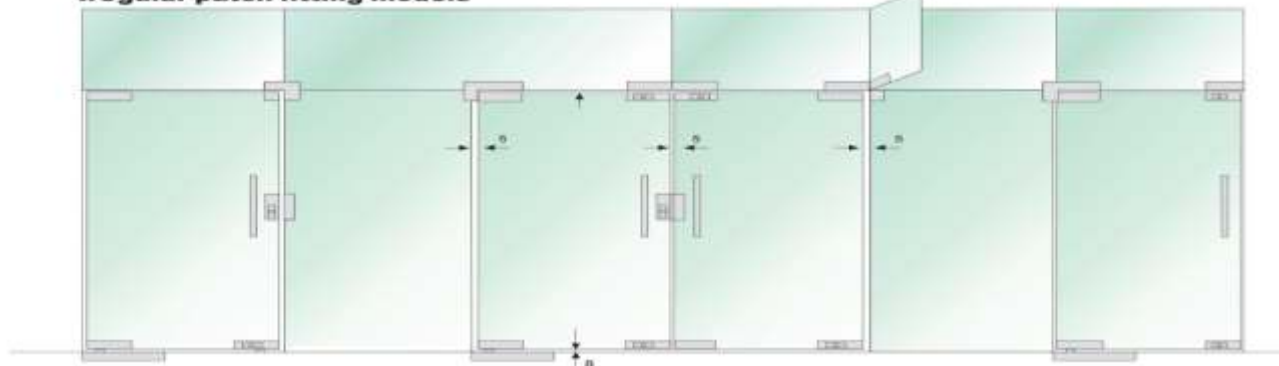


GGDS
Glass Door Stopper

Square patch fitting models



Irregular patch fitting models



HYDRAULIC FITTINGS



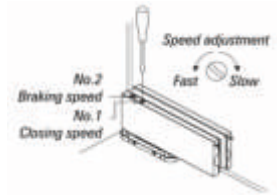
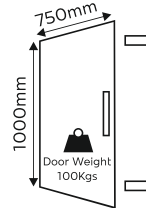
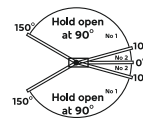
GHFS-100
Hydraulic Floor Hinge

Product Specification

- Suitable door weight : Max 100kg
- Suitable door width : 750-1000mm
- Suitable door thickness : 8-13mm
- Ambient temperature : 20°C--50°C
- Quick and easy installation



NO DIGGING FLOOR



HYDRAULIC PATCH SET



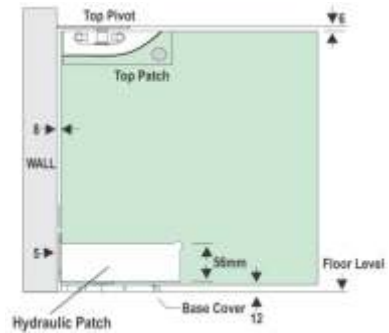
GHFS-100 (SET)
Hydraulic Floor Hinge



GPF-20
Top Patch



GFS-ACC-GDP
Top Pivot for Patch Fittings Doors



DOOR CLOSER



Specification

- Applicable door with 500-1000mm
- Applicable door weight up to 40-65kg
- Adjustable section of closing speed 180°-20°
- Adjustable section of latching speed 20°-0°
- The door closer is suitable for installing in various door, such as wooden door, metal door, etc.
- The door closer can be chosen to stop or unstop at will
- Continuous adjustment of closing and latching speed the fast speed can be adjusted to within 3 second from 90 degree, slowness close can



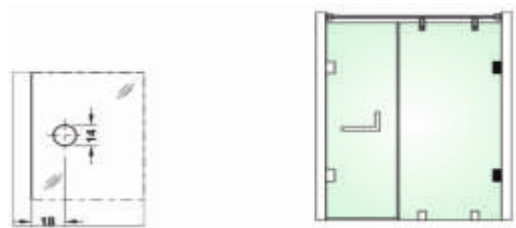
Material : SS 304, Door Thickness : 8mm-12mm,
Weight Cap. : 45kg, Finish : Polish Stainless Steel, Product Thickness : 3mm



GGC-1
Uconnector



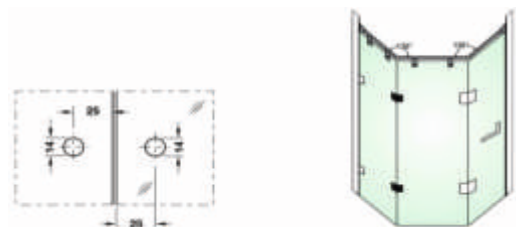
GGC-1R
Uconnector



GGC-2
Glass to Glass 135°



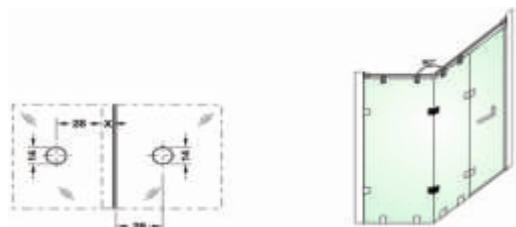
GGC-2R
Glass to Glass 135°



GGC-3
Glass to Glass 90°



GGC-3R
Glass to Glass 90°



GGC-4
L Connector



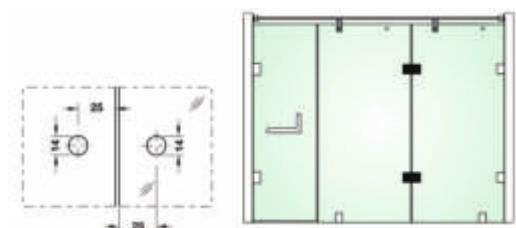
GGC-4R
L Connector



GGC-5
Glass to Glass 180°

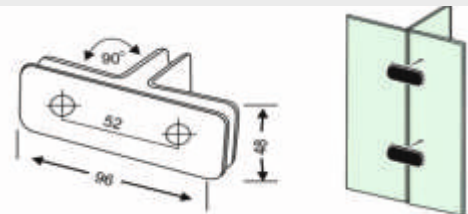


GGC-5R
Glass to Glass 180°



GGC-6
T-Connector
Glass to Glass 90°

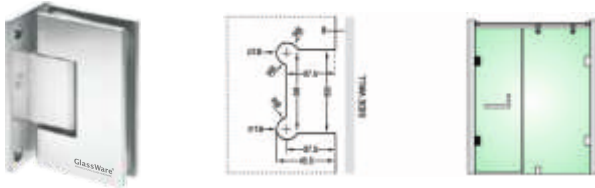
Material - Stainless Steel 304
Door Thickness - 8mm-12mm
Finish - Chrome Plated
With Gasket to Prevent Glass from Damage



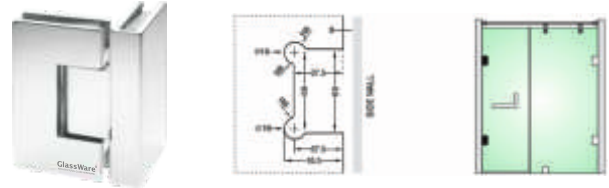
SHOWER HINGES

Material : SS 304, Door Thickness : 8mm-12mm,
Weight Cap : 45kg, Finish : Polish Stainless Steel

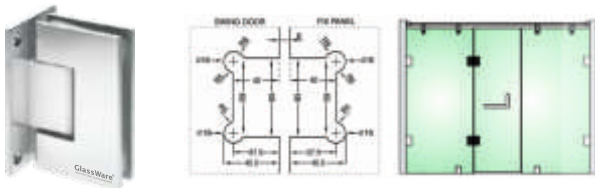
GSH-101 H/P WALL TO GLASS 90° OFF SET HINGE



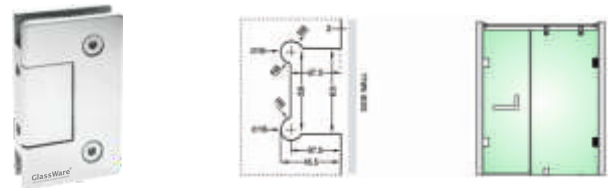
GSH-104 GLASS TO GLASS 90° HINGE



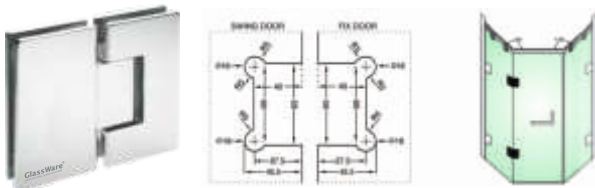
GSH-101 WALL TO GLASS 90° HINGE



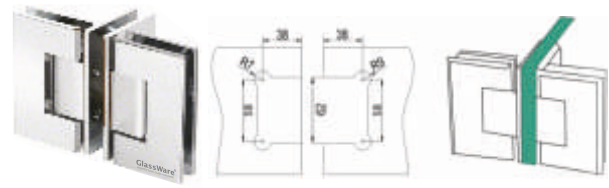
GSH-105 WALL TO GLASS 90° FIX HINGE



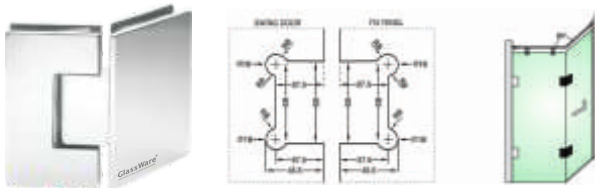
GSH-102 GLASS TO GLASS 180° HINGE



GSH-106 DOUBLE GLASS T HINGE



GSH-103 GLASS TO GLASS 135° HINGE



For Glass : 8mm-12mm, Size : 2.2mtr. / 2.5mtr.,
Finish : Transparent, Material : PVC

PLASTIC PROFILES

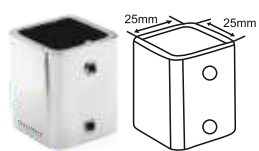
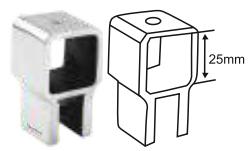
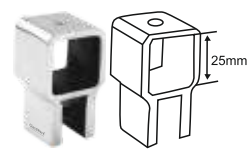
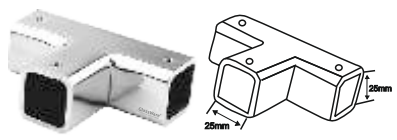
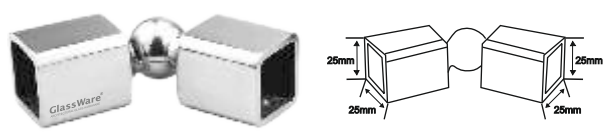
For Glass : 8mm-12mm, Size. : 2.2mtr./2.5mtr., Finish : Transparent, Material : PVC

 <p>GPS-1 Centre Seal 8mm (2.2mtr.) 10mm (2.2mtr.) 12mm (2.2mtr.)</p>	 <p>GPS-2 Side Seal 8mm (2.2mtr.) 10mm (2.2mtr. & 2.5mtr.) 12mm (2.2mtr. & 2.5mtr.)</p>	 <p>GPS-3 D Seal 8mm (2.2mtr.) 10mm (2.2mtr. & 2.5mtr.) 12mm (2.2mtr. & 2.5mtr.)</p>	 <p>GPS-4 Sliding Door Seal 8mm (2.2mtr.) 10mm (2.2mtr. & 2.5mtr.) 12mm (2.2mtr. & 2.5mtr.)</p>
 <p>GPS-5 Water Dispersal seal 8mm (2.2mtr.) 10mm (2.2mtr.) 12mm (2.2mtr.)</p>	 <p>GPS-M1 180° 8mm (2.2mtr.) 10mm (2.2mtr. & 2.5mtr.) 12mm (2.2mtr. & 2.5mtr.)</p>	 <p>GPS-M2 135° 8mm (2.2mtr.) 10mm (2.2mtr. & 2.5mtr.) 12mm (2.2mtr. & 2.5mtr.)</p>	 <p>GPS-M3 90° 8mm (2.2mtr.) 10mm (2.2mtr. & 2.5mtr.) 12mm (2.2mtr. & 2.5mtr.)</p>

**SHOWER KNIGHT (ROUND SERIES)
HEAD ACCESSORIES SS / BRASS**

 <p>GKH-1 Wall to Rod</p>	 <p>GKH-2 Rod to Glass</p>	 <p>GKH-3 Rod to Rod</p>	 <p>GKH-4 Rod to Glass (One Side Blind)</p>
 <p>GKH-5 Rod to Rod T Connector</p>	 <p>GKH-ACC-19 Reinforcing Rod (Dia 19mm)</p>		

SHOWER KNIGHT (SQUARE SERIES)

 <p>GKH-1S Wall to Rod (Dia 25mm)</p>	 <p>GKH-2S Road to Glass (Dia 25mm)</p>	 <p>GKH-4S Road to Glass One Side Blind (Dia 25mm)</p>
 <p>GKH-5S Road to Road (Dia 25mm)</p>	 <p>GKH-3S Road to Road (Dia 25mm)</p>	

OFFICE SLIDING SYSTEM SET

GSL-44-A1 (SET) Roller

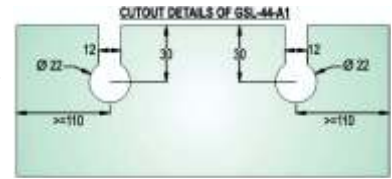
PLASTIC BODY SMALL COIN



GSL-44-A1 - 2 Roller
GSL-44-A3 - 2 Stoper
GSL-44G - 1 Floor Guide

Speci cation

- Four fiber reinforced plastic rollers of 30mm diameter
- Stainless Steel Grade 304 glass holding point
- Height adjustable glass holding points (10mm)
- Secure grip for the door
- Self aligning suspension of door
- Roller configuration for even distribution of load
- Independently connected rollers to prevent damage to track and rollers
- Suitable for 10mm or 12mm glass
- Suitable for door weight 80kg



GSL-44-A2 (SET) Roller

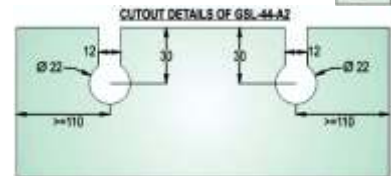
METAL BODY SMALL COIN



GSL-44-A1 - 2 Roller
GSL-44-A3 - 2 Stoper
GSL-44G - 1 Floor Guide

Speci cation

- Heavy duty sliding door roller
- Suitable for up to a door weight of 100 kg
- Larger surface area for secure grip of the door
- Adjustable threaded rod for installation perfection
- Solid brass for glass holding



GSL-44-R8 (SET) 8 Wheel Rectangular Roller

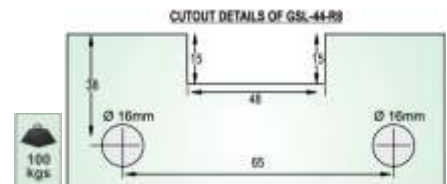
METAL BODY RECTANGLE PATCH



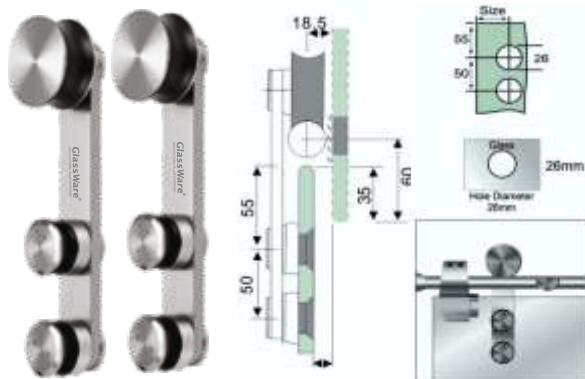
GSL-44-A1 - 2 Roller
GSL-44-A3 - 2 Stoper
GSL-44G - 1 Floor Guide

Speci cation

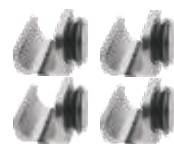
- Material : Stainless steel
- Finish : Satin stainless steel (SSS)



OFFICE SLIDING SYSTEM SET



GSL-22A
Office Sliding Roller



GSL-22-TH-G2
Glass to Rod Clamp



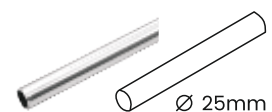
GSL-22B
Door Stopper



GSL-22G
Floor Guide



GSL-ACC-25
Shower Sliding Pipe



Available Colours : Black Matt Gold Rose Gold

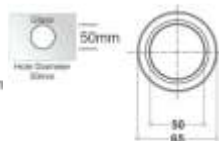
ARCHITECTURAL GLASS HARDWARE



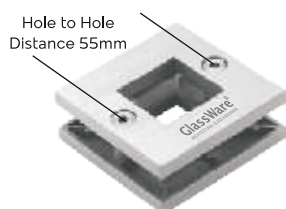
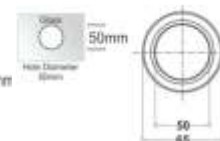
GSL-44-A5
Wall to Track Clamp



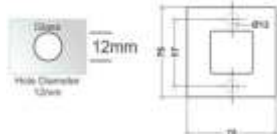
GSL-HN-50
Sliding Handle (Dia 50mm)



GSL-HN-60
Sliding Handle (Dia 50mm)



GSL-HN-70
Sliding Handle (Square)



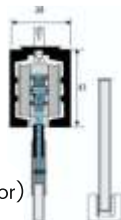
GSL-HN-80
Sliding Handle (Rectangle)



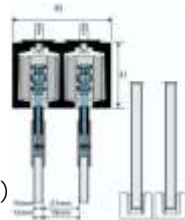
SLIDING TRACK



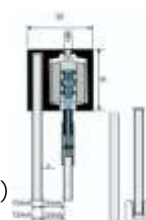
GSL-44-B1
Aluminium Track (Single Door)
Available in 8, 10 & 13 Ft.



GSL-44-B2
Aluminium Track (Double Door)
Available in 8, 10 & 13 Ft.



GSL-44-B3
Aluminium Track (Door+Fix Glass)
Available in 8, 10 & 13 Ft.



JAGUAR SLIDING SYSTEM SET GSL-55



Knob Clamp
Sliding Roller (SS)



Track Mounting
Bracket (L/R)



Door Stopper



Floor Guide



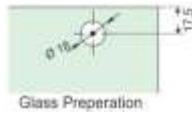
Sliding Track Extra
(Aluminium)



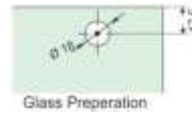
Track Corner
Joint Extra



Fastner



Wall to wall Single Door
Single Door Set :
Knob Clamp Sliding Roller-2Pcs.
Track Mounting Bracket-2Pcs.
Door Stopper-2Pcs.
Floor Guide 1Pcs.



Corner Entry Double Door
Double Door Set :
Knob Clamp Sliding Roller-4Pcs.
Track Mounting Bracket-2Pcs.
Door Stopper-4Pcs.
Floor Guide 2Pcs.

SHOWER SLIDING SYSTEM 11A SET

GSST-ACC-10/30
Connecting Track
SLIDING TRACK 11A



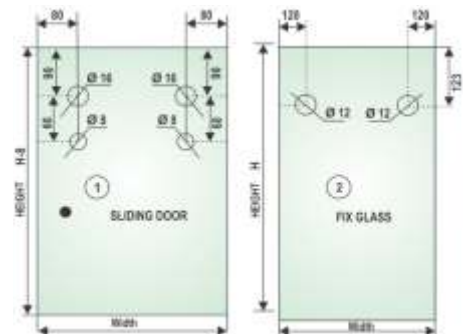
CP Finish

GSS-11-A1 - 2 Big Roller & 2 Small Roller.

GSS-11-A2 - 2 Track to Glass Holder

GSS-11-A3 - 2 Stopper, **GSS-11-A4** - 1 Floor Guide

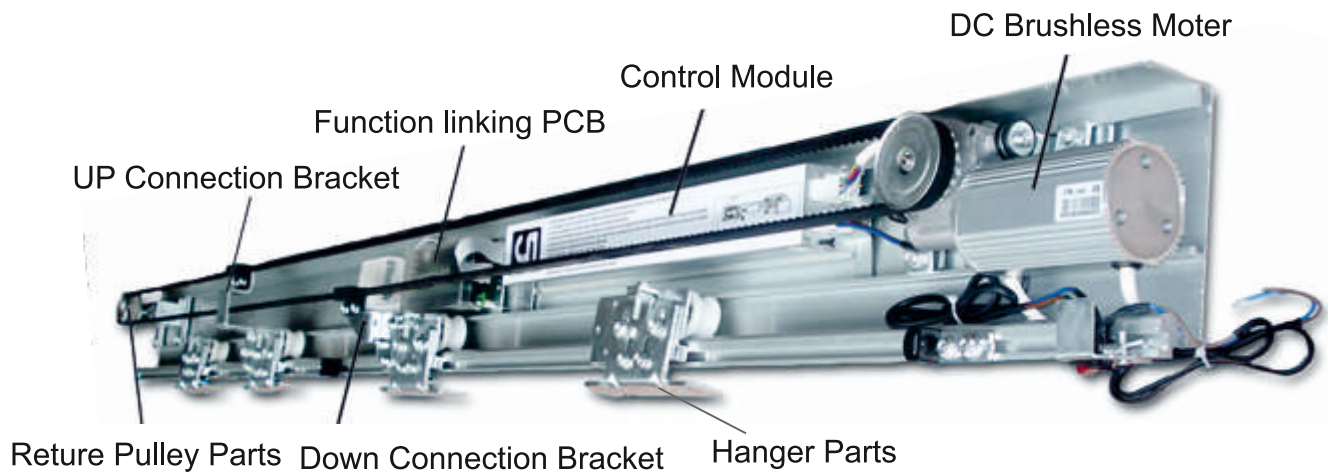
GSS-1 - 2 Wall to Track Connector, **GSL-HN-50** - 1 Sliding Handle



Available Colours : Black Matt Gold Rose Gold

GASSD-1

AUTOMATIC DOOR SENSOR



Features and Advantages

1. Wide range of power-supply operation.
2. Intelligent control system.
3. Drive equipment with low noise.
4. Advanced brushless motor and worm wheel reducer are integrated.
5. Special self-locking function without any addition components.
6. With different triggered operating modes.
7. Double door interlock function.
8. Optional backup power supply to ensure the normal operation.
9. When door is closed, it shall be locked and kept closed.
10. Apply to door for garage, usage of anti-radiation for hospitals, warehoused, science and technology factories, barrier-free space, commercial building, shopping mall, etc.
11. To connect with safety and security system.
12. Easy installation & easy maintenance.
13. Track size : 4200mm / 6400mm.

SPECIFICATION

DOOR PARAMETER	
Single Leaf Maximum Opening	1200mm x 2400mm
Bi-parting Door Maximum Opening	2200mm x 2400mm
Maximum Door Weight Single Leaf	75kg to 90kg (Single Door)
Maximum Door Weight Double Leaf	75kg x 2 Door (Bi-parting)

AUTOMATIC DOOR PARAMETERS

DOOR PARAMETER	SASSD-1
Opening Speed	Adjust Between 250-600mm/Sec.
Closing Speed	Adjust Between 150-300mm/Sec.
Holding Time	1-15 Sec.
Pushing Force	< 37N < 45N
Power	Ac 200-250V
Voltage	DC 24V-50W
Environment Temperature	-200C - +500C



PROFILE TELESCOPIC SLIDING SYSTEM (SOFT CLOSE)

SPECIFICATION

Telescopic Sliding System for Three Doors, Two Doors and Single Door, Suitable for Sliding Doors for Homes, Hotels, Office Building etc. Space Saving, Good Decorative, Sliding Track : Aluminum Anodized, Hanging Roller : Zinc Alloy, SN.

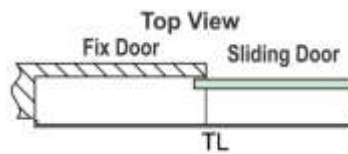
GPSS-100 (SOFT CLOSE)

SINGLE DOOR TELESCOPIC SYSTEM



TELESCOPIC SLIDING SYSTEM (SIGNLE DOOR)

- Single Door Telescopic Accessories Set
- Sliding Top Track
- Track Decorative Cover
- Top & Bottom Profile
- Side Profile
- Handle
- Divider Profile as Per Requirement



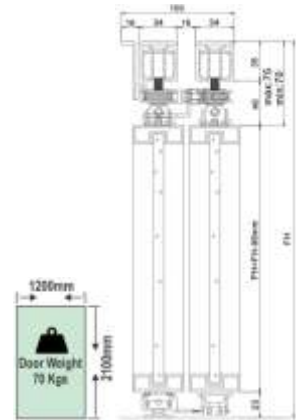
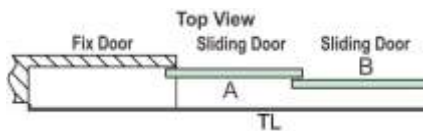
GPSS-101 (SOFT CLOSE)

TELESCOPIC SLIDING SYSTEM (2 DOOR)



2+1 TELESCOPIC SYSTEM

- 2 Door Telescopic Accessories Set
- Sliding Top Track
- Track Decorative Cover
- Top & Bottom Profile
- Side Profile
- Handle
- Divider Profile as Per Requirement



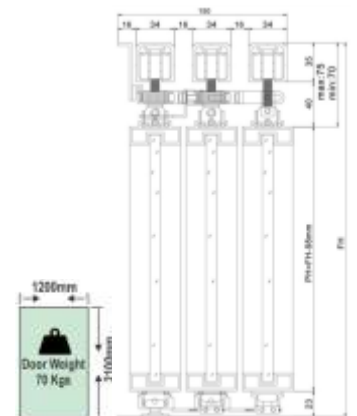
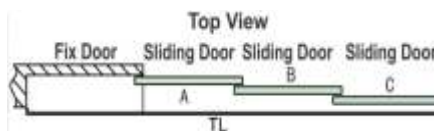
GPSS-102 (SOFT CLOSE)

TELESCOPIC SLIDING SYSTEM (3 DOOR)



3+1 TELESCOPIC SYSTEM

- 3 Door Telescopic Accessories Set
- Sliding Top Track
- Track Decorative Cover
- Top & Bottom Profile
- Side Profile
- Handle
- Divider Profile as Per Requirement



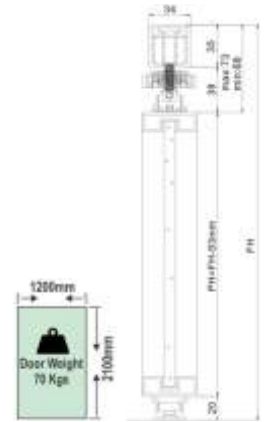
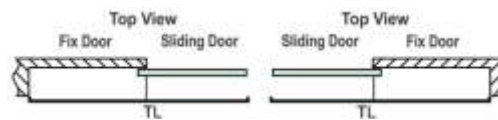
GPSS-104 (SOFT CLOSE)

PROFILE SYNCHRONIZED SLIDING SYSTEM (SOFT CLOSE)



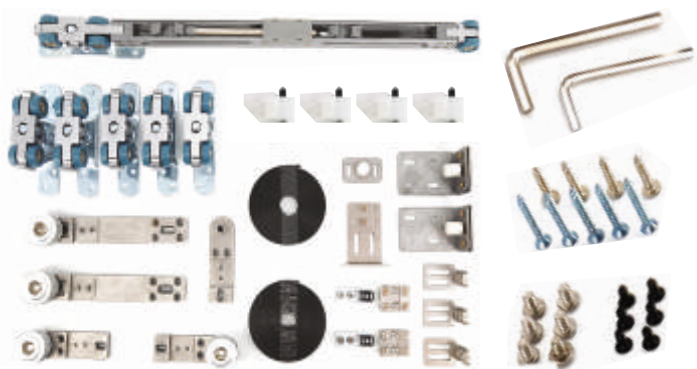
SINGLE DOOR BOTH SIDE

- Synchronized Accessories Set
- Sliding Top Track
- Track Decorative Cover
- Top & Bottom Profile
- Side Profile
- Handle
- Divider Profile as Per Requirement



ACCESSORIES FOR **SLIDING DOORS**

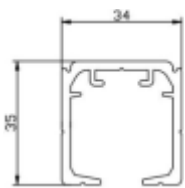
BUTTERFLY HINGE



**SLIM
MAGNETIC
LOCK**



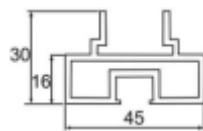
PROFILE TELESCOPIC SLIDING SYSTEM (**ACCESSORIES FOR FITTING**)



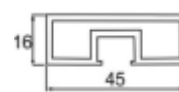
GPTS-104
Top Sliding Track



GPTS-105
Sliding Channel
Cover Plate



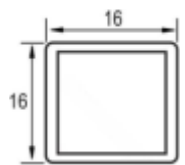
GPTS-106
Top and Bottom Channel



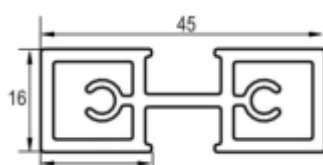
GPTS-107
Vertical Profile



GPTS-108
Adjustable Fix Connector
for Runner



GGP-104
Sticking Profile



GGP-105
Divider Profile



GGP-111
Profile Corner
Joiner



GPTS-109
Profile Sliding Handle

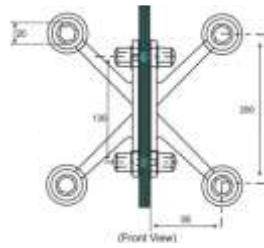


GPTS-110
Profile Sliding Handle
with Lock

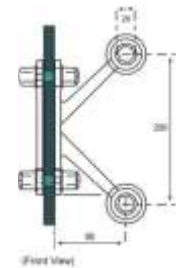
SPIDER FITTING WITH FIN



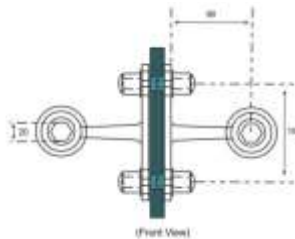
GSP-A4
Four Way Spider



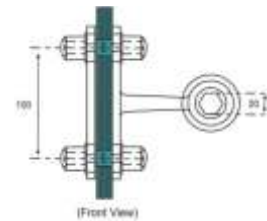
GSP-A44
Two Way Spider (Wall Mounted)



GSP-A2
Two Way Spider



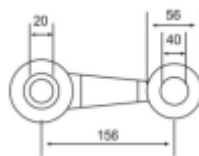
GSP-A22
One Way Spider (Wall Mounted)



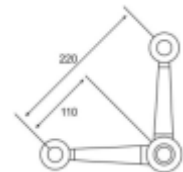
SPIDER WITHOUT FIN



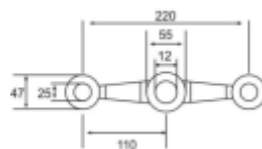
GSP-B1
One Way Spider
Without Fin



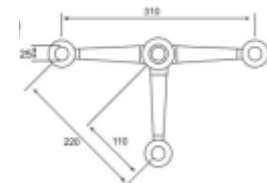
GSP-B2 (90°)
Two Way Spider 90°
Without Fin



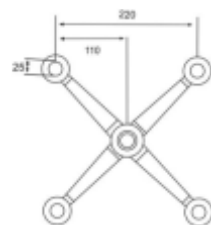
GSP-B2 (180°)
Two Way Spider 180°
Without Fin



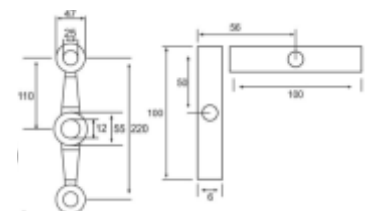
GSP-B3
Three Way Spider
Without Fin



GSP-B4
Four Way Spider
Without Fin

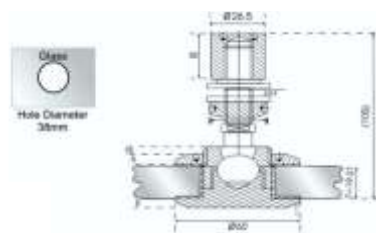


GSP-B4 (90°)
Four Way Spider Without Fin (90°)

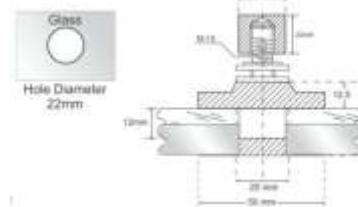




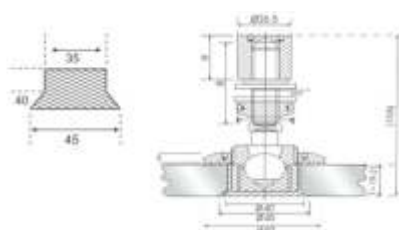
GSP-AFB 36FL
Articulated Routel
(Flat Head)



GSP-FB FL
Fixed Routel (Flat Head)



GSP-AFB 36CS
Articulated Routel
(Counter Sunk Hole)



GSP-FB CS
Fixed Routel
(Counter Sunk)

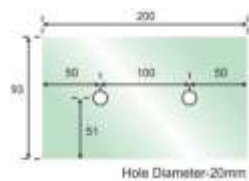


GSP-01
Iron Assembly

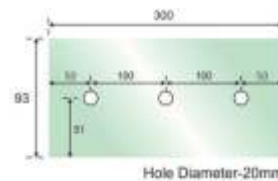
FIN PLATES



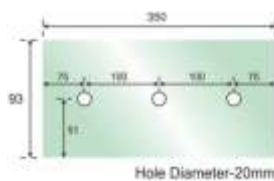
GFP-200
Fin Plate (200mm)



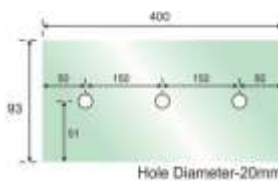
GFP-300
Fin Plate (300mm)

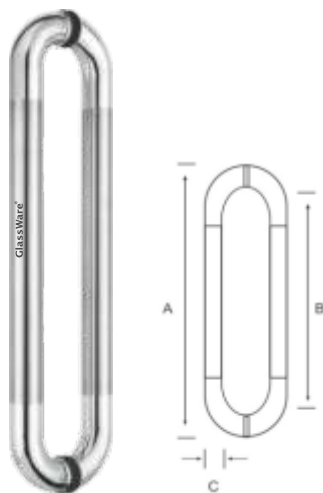


GFP-350
Fin Plate (350mm)



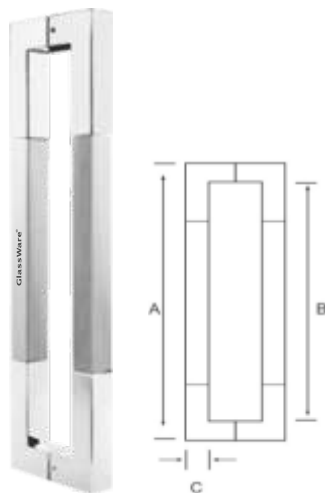
GFP-400
Fin Plate (400mm)





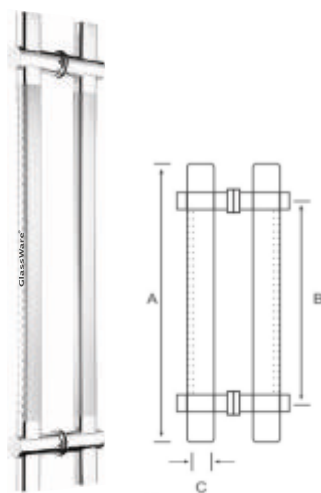
GDH-01

Overall Length (A)	Centre to Centre Hole (B)	Diameter (C)
327	302	25
482	450	32
175	150	25
225	200	25
275	250	25



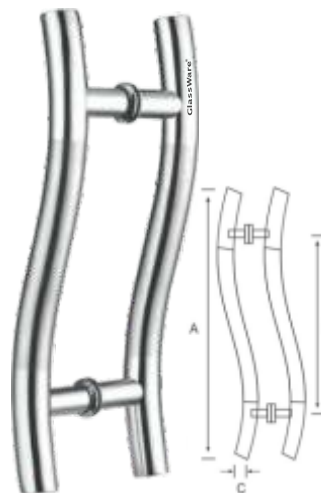
GDH-02

Overall Length (A)	Centre to Centre Hole (B)	Diameter (C)
327	302	25/25



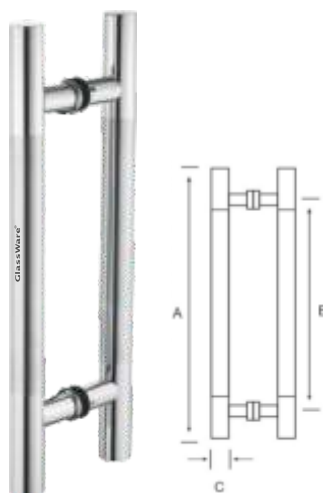
GDH-03

Overall Length (A)	Centre to Centre Hole (B)	Diameter (C)
450	302	32
600	450	32
900	600	32
1200	900	32



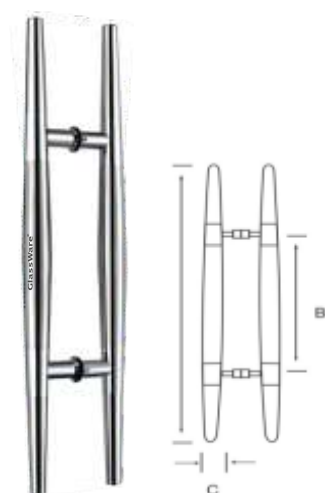
GDH-04

Overall Length (A)	Centre to Centre Hole (B)	Diameter (C)
450	302	32



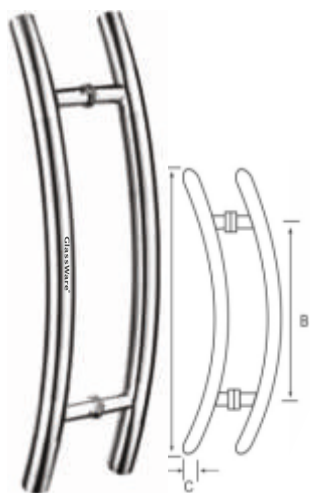
GDH-104

Overall Length (A)	Centre to Centre Hole (B)	Diameter (C)
450	302	32
600	450	32
900	600	32
1200	900	32
1500	1200	32
900	700	32



GDH-05

Overall Length (A)	Centre to Centre Hole (B)	Diameter (C)
450	302	38



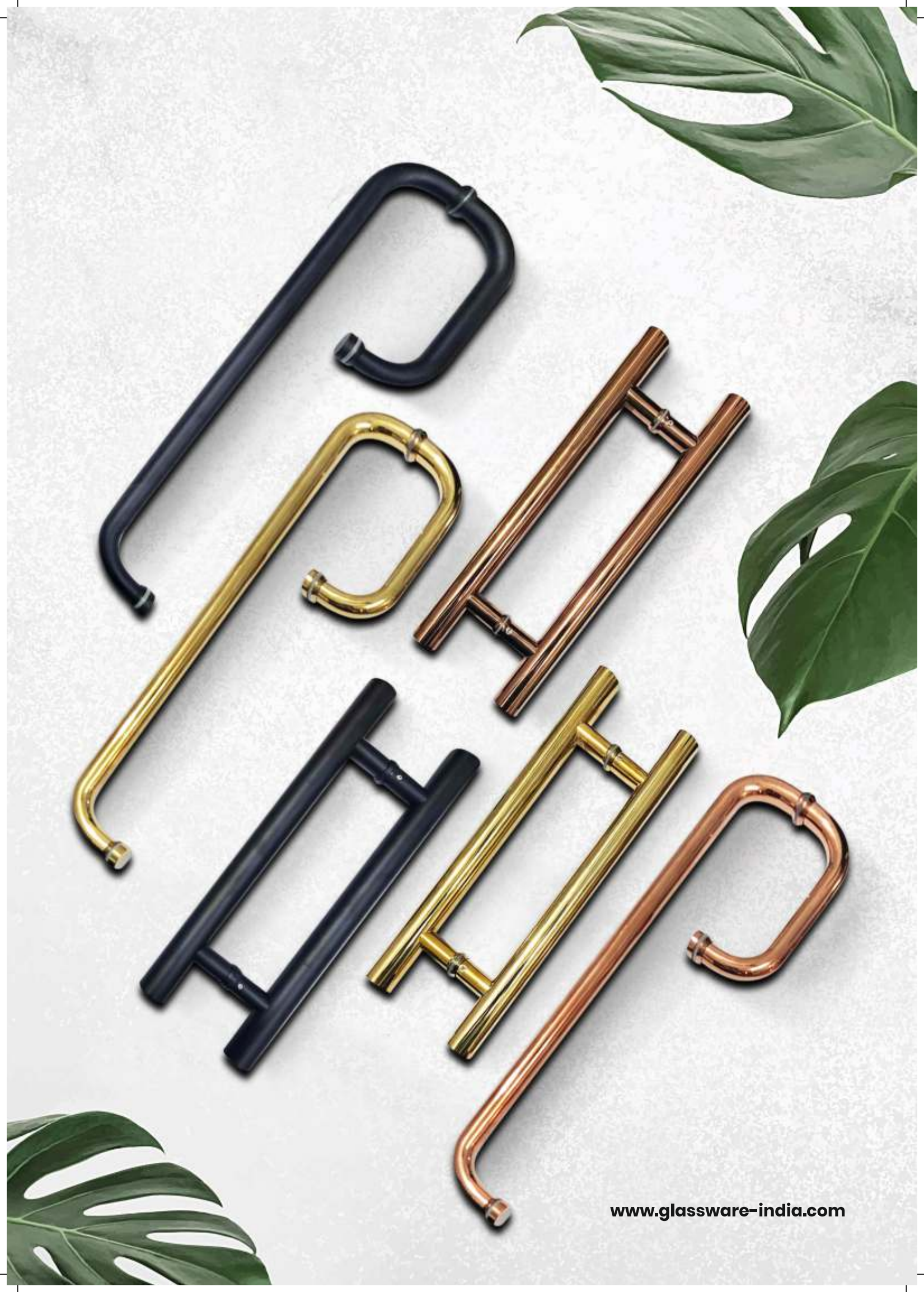
GDH-06

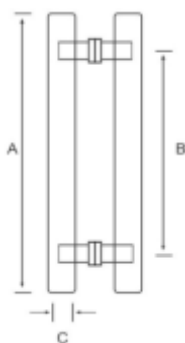
Overall Length (A)	Centre to Centre Hole (B)	Diameter (C)
450	302	32



GDH-07

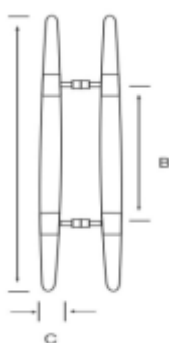
Overall Length (A)	Centre to Centre Hole (B)	Diameter (C)
327	302	25
475	450	25
675	600	25





GDH-08

Overall Length (A)	Centre to Centre Hole (B)	Diameter (C)
600	450	38



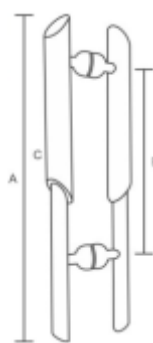
GDH-09

Overall Length (A)	Centre to Centre Hole (B)	Diameter (C)
450	302	25/25



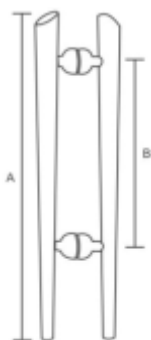
GDH-10

Overall Length (A)	Centre to Centre Hole (B)	Diameter (C)
450	302	25/45
600	450	25/45



GDH-11

Overall Length (A)	Centre to Centre Hole (B)	Diameter (C)
450	302	38/25



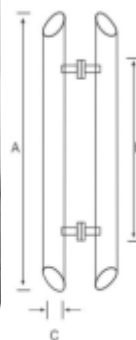
GDH-12

Overall Length (A)	Centre to Centre Hole (B)	Diameter (C)
450	302	38



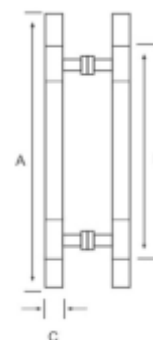
GDH-13 (Acrylic)

Overall Length (A)	Centre to Centre Hole (B)	Diameter (C)
450	302	32



GDH-14 (Acrylic)

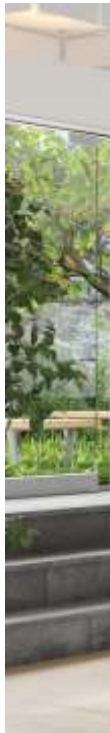
Overall Length (A)	Centre to Centre Hole (B)	Diameter (C)
450	302	32
600	450	32



GDH-15 (Acrylic)

Overall Length (A)	Centre to Centre Hole (B)	Diameter (C)
450	302	32
600	450	32

DOOR HANDLES



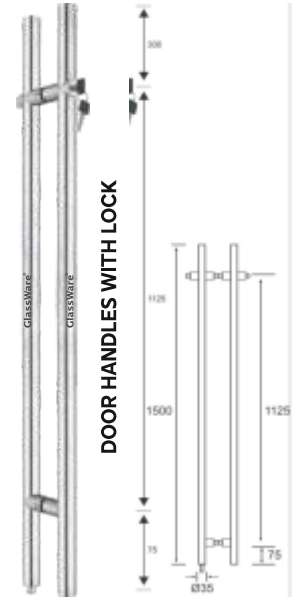
GDH-16

Overall Length (A)	Centre to Centre Hole (B)	Diameter (C)
482	450	25/25



GDH-17

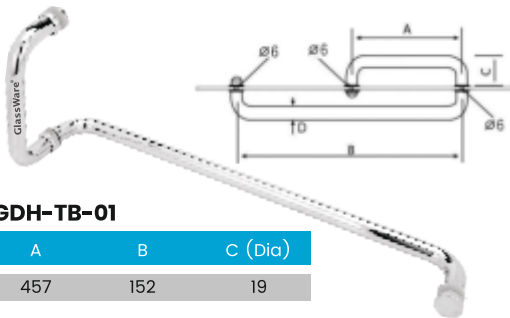
Overall Length (A)	Centre to Centre Hole (B)	Diameter (C)
327	302	25/25



GDHL-55

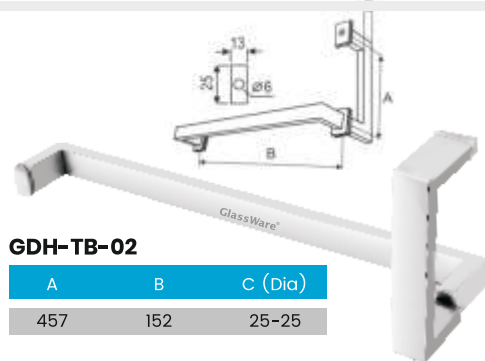
SIZE
35 X 1500

SHOWER HANDLE



GDH-TB-01

A	B	C (Dia)
457	152	19



GDH-TB-02

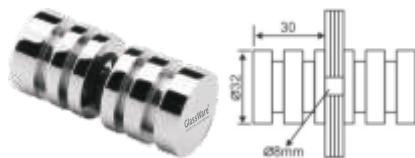
A	B	C (Dia)
457	152	25-25

DOOR KNOBS



GDK-1

Door Knob



GDK-3

Door Knob



GDK-2

Door Knob



GDK-4

Door Knob

Available Colours : Black Matt Gold Rose Gold



GLK-1 (D Lock)
Double Door Lock
(Only Key) Glass to Glass



GLK-2 (D Lock)
Single Door Lock
(Only Key) Wall to Glass



GLK-3 (D Lock)
Double Door Lock
(Key & Knob) Glass to Glass



GLK-4 (D Lock)
Single Door Lock
(Key & Knob) Wall to Glass



GLK-5 (Slot Type)
Double Door Lock
(Only Key) Glass to Glass



GLK-6 (Slot Type)
Single Door Lock
(Only Key) Wall to Glass



GLK-9 (Slot Type)
Mini Double Door Lock
(Key & Knob) Glass to Glass



GLK-10 (Slot Type)
Mini Single Door Lock
(Key & Knob) Wall to Glass



GLK-11 (Pin Type)
Mini Double Door Lock
(Key & Knob) Glass to Glass



GLK-12 (Pin Type)
Mini Single Door Lock
(Key & Knob) Wall to Glass



GLK-13 (Pin Type)
Double Door Lock
(Only Key) Glass to Glass



GLK-14 (Pin Type)
Single Door Lock
(Only Key) Wall to Glass



GLK-15 (Pin Type)
Double Door Lock
(Only Knob) Glass to Glass



GLK-16 (Pin Type)
Single Door Lock
(Only Knob) Wall to Glass



GLK-17 (Pin Type)
Mini Double Door Lock
(Only Knob) Glass to Glass



GLK-18 (Pin Type)
Mini Single Door Lock
(Only Knob) Wall to Glass



GLK-19
Mortise Double
Door Lock



GLK-20
Mortise Single
Door Lock



GLK-21
Sliding Door Lock



GLK-22
Sliding Door Lock with Strike Plate



GLASS RAILING ACCESSORIES



GRA-1 (Spigot)
9"



GRA-2 (Spigot)
4" Fix with
Rectangle Plate



GRA-3 (Spigot)
4" Expandable
with Round Plate



GRA-4 (Spigot)
8" Expandable
with Round Plate



GRA-6
Glass to Handrail
(Adjustable)



GRA-7
Glass to Handrail
(Fix)



GRA-9
Railing Stud
45mm



GRA-10
Railing Stud
38mm



GRA-11
Glass Adjustable
Stud

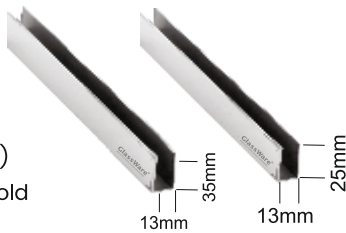


GRA-12
Glass Adjustable
Stud

'U' CHANNEL

GGPL-2

'U' Channel (For Glass)
Finish : CP/SS/Rose Gold
Available in 3.4 Mtr.,
Thickness : 1.5mm



SILICONE SEALANT & GUN



GGSS-789
Neutral Weatherproof
Silicone Sealant



GGSS-1
Silicone Gun

GLASS LIFTER



GGL-1C
Glass Lifter
with Single Cup



GGL-2C
Glass Lifter
with Two Cup



GGL-3C
Glass Lifter
with Three Cup



GW-B11



GW-B12



GW-B13



GW-B14



GW-B15



GW-B16



GW-T01
20 X 50



GW-T02
40 X 40



GW-T03
50 X 50



GW-T04
25 X 25



GW-T05
35 X 40

REDEFINING SPACES WITH PREMIUM GLASS HARDWARE



Slim Frame Door Systems



Glass Partition Systems



Spider Fitting



Glass Railing Systems



Smart Locks



Shower Enclosures



Automatic Doors



Door Hardware

GlassWare India

Customer Care No.: +91-9899339333
For enquiry : enquiry.glassware@gmail.com

www.glassware-india.com